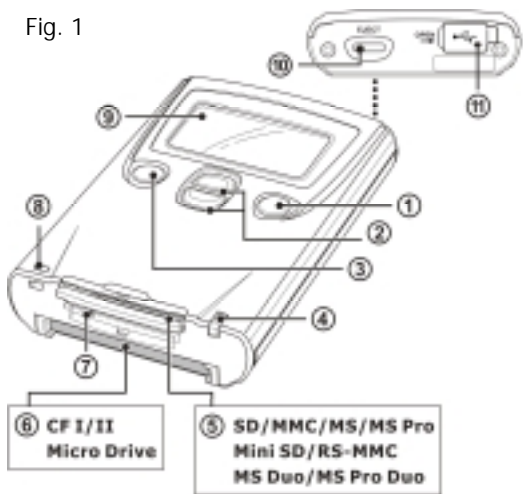


# PHOTO HARDDISK

## Quick User Guide

Fig. 1



### Components

- ① POWER/ENTER Key
- ② UP or Down Key
- ③ BACK Key: Cancel or Return
- ④ 7-color LED
- ⑤ 4-in-1 Card Slot
- ⑥ CF/MD Card Slot
- ⑦ Reset Pinhole
- ⑧ Eyelet for Hand Strap
- ⑨ LCD Display
- ⑩ EJECT Key: Press to eject CF card/Micro Drive
- ⑪ USB Connector: Connect USB cable or AC adapter



Fig. 3

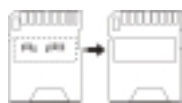


CF / Micro Drive

### Please read before operating

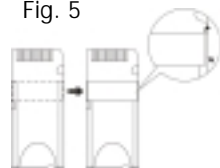
- ❑ Please charge the battery for at least 6 hours before first-time use. See Fig. 2 for AC adapter connection. (can also be charged via USB port)
- ❑ Please set up date and time before first-time use.
- ❑ Multiple 2nd menu languages can be set up with utility software. Select Language to change active menu language. If active menu language is not recognizable, turn the unit off and back on, press the DOWN key four times, then press the ENTER key, and one UP key and ENTER key to change.
- ❑ Computer access can be protected by password. Refer to the manual in CD for details.
- ❑ When ejecting CF card or Micro Drive, be careful not to drop it. (See fig. 3)
- ❑ When using Mini SD/RS-MMC cards, an adapter (not provided) is required. Please apply the enclosed insulation tape over the card adapter. (Tape size: 8.0L x 20.5W x 0.1T mm; See Fig. 4 for tape position)
- ❑ When using MS Duo/MS Pro Duo cards, please apply the enclosed insulation tape over the adapter to cover about 2/3 of the metal stripes. (See Fig.5)

Fig. 4



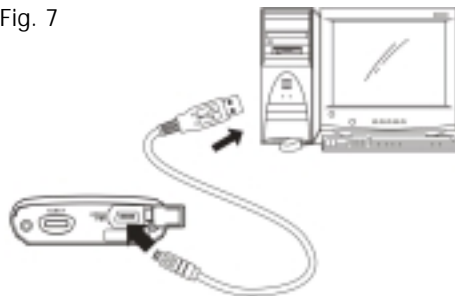
Mini SD

Fig. 5



MS Duo / MS Pro Duo

Fig. 7



### Stand-alone operation

#### Turn the Unit on

- ❑ Insert memory card to card slot to power on, or
- ❑ Press and hold POWER key for 2~3 seconds.

#### Turn the Unit off

- ❑ The unit will turn off automatically if there is no operation after a while, or
- ❑ In main menu, select "Power Off" and press the ENTER key, or
- ❑ Press and hold the BACK key for 2~3 seconds.

#### Set Date and Time

1. In main menu, select "Date Time" and press the ENTER key.
2. Press the UP or DOWN key to adjust the number; Press ENTER or BACK to move to next or previous field. Press Enter at last field to return to main menu.

#### How to Copy Memory Cards

1. Insert the memory card into appropriate card slot.
2. In main menu, select "Copy" and then press the ENTER key.
3. Select card source (if both slots have cards). Press ENTER to start or BACK to return to main menu.
4. Press and hold the BACK key to cancel the copying that is in progress.
5. A copy Log screen will appear after the operation is completed. Five backup records are saved in Log for later reference.
6. LED will blink orange if there is any error.

*Do not remove card when copying is in progress.*

Fig. 6



### Computer operation

#### Please read before installing software

- ❑ Use the enclosed CD to install required software before connecting to computer.
- ❑ Windows 2000 users need to update to Windows 2000 SP3 or above beforehand.

#### Software Installation Procedures

7. Insert CD into an optical drive, a window like Fig. 6 will appear. If not, select and execute "Autorun.exe" from the CD.
8. Select "Install Driver and Utility", the installation program will install the software required according to your system O/S.  
**Windows XP/2000 SP3 or above:** Driver not required; only Utility will be installed.  
**Windows ME:** Driver not required; utility not supported, but you can read manual in CD.  
**Windows 98SE:** Drive must be installed; utility not supported. Hence CD only installs Driver.  
**Mac OS X 10.2 or above:** Driver not required; Utility not supported. You can read manual in CD.

#### Connecting to Computer

- ❑ To connect to computer:
  1. Connect USB Cable to connect the unit with computer as Fig. 7.
  2. Press ENTER key on the unit, computer will detect and install driver, after installation, 3 new drives will appear in "My Computer".
  3. In "My Computer", you can access and manage these 3 drives like regular disk drives.
- ❑ To disconnect the unit from computer, select the icon (🗑️, 🗑️ or 🗑️) on system tray and select the drive letter assigned to the unit, when "safely removed" message appears, unplug the unit.
- ❑ Windows XP and 2000 users can execute "PHOTO HARDDISK Utility" under "Program Files" to customize startup screen and set up 2nd menu language.

**Refer to manual in CD for more details.**